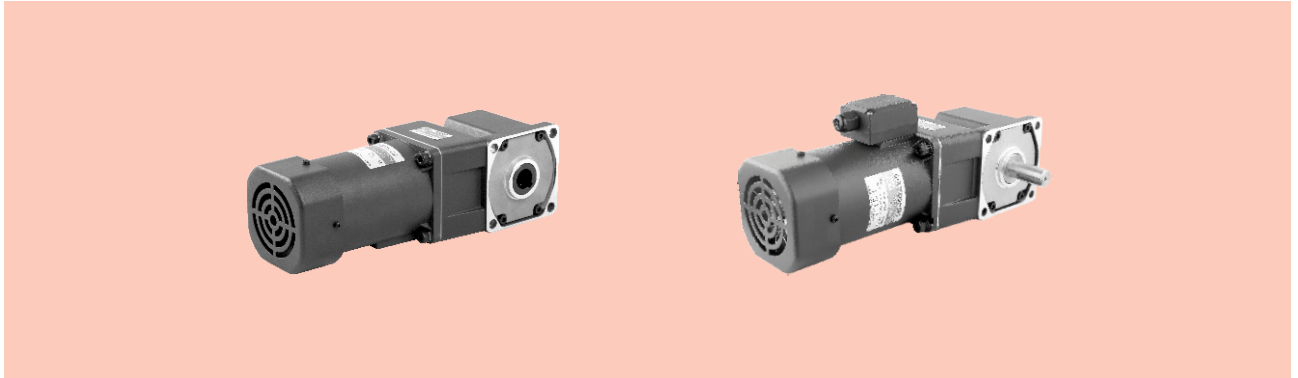


感应电动机 INDUCTION MOTORS

■ 140W □ 104mm



规格 Specs 连续额定 Continuous Rating

| 型号 Model · 类型 Type 上段:齿轮轴 Upper:Pinion Shaft 下段()内:圆轴 Below:Round Shaft | | 输出功率 Output power W | 电压 Voltage V | 频率 Frequency Hz | 电流 Current A | 启动转矩 Starting Torque mN.m | 额定转矩 Rated Torque mN.m | 额定转速 Rated Speed r/min | 电容器容量 Capacitor μF |
|---|--|---------------------------|--------------------|-----------------------|--------------------|---------------------------------|------------------------------|------------------------------|--------------------------|
| 导线型 Lead Wire Type 外形图Dimensions① | 带端子箱型 Terminal Box Type 外形图Dimensions② | | | | | | | | |
| 6IK140GU-AF | 6IK140GU-AFT | 140 | 1ph 100 | 50 | 2.70 | 700 | 1080 | 1250 | 35 |
| | | | | 60 | 3.00 | | 870 | 1550 | |
| 6IK140GU-EF | 6IK140GU-EFT | 140 | 1ph 110 | 60 | 1.80 | 700 | 850 | 1600 | 25 |
| | | | 1ph 120 | | 1.95 | | | | |
| 6IK140GU-CF | 6IK140GU-CFT | 140 | 1ph 220 | 50 | 1.05 | 850 | 1040 | 1350 | 10 |
| | | | 1ph 230 | | 1.15 | | | | |
| 6IK140GU-HF | 6IK140GU-HFT | 140 | 1ph 220 | 60 | 1.05 | 750 | 850 | 1600 | 10 |
| | | | 1ph 230 | | 1.15 | | | | |
| 6IK140GU-SF | 6IK140GU-SFT | 140 | 3ph 220 | 50 | 0.85 | 2700 | 1080 | 1250 | - |
| | | | | 60 | 0.75 | 2200 | 870 | 1550 | |
| 6IK140GU-S3F | 6IK140GU-S3FT | 140 | 3ph 380 | 50 | 0.49 | 2700 | 1080 | 1250 | - |
| | | | | 60 | 0.43 | 2200 | 870 | 1550 | |

- 各种安全规格以电动机铭牌上的型号名取得认证。
When the motor is approved under various safety standards, the model name on the nameplate is the approved model name.
- 注：“-A”型号中电压为110V时，配置电容器容量以实际铭牌为准。
Note:“-A” it means the voltage 110V, the assembly capacitor vaule it is according the labe.

装有减速器时的容许转矩 Gear Motor-Torque Table

- 减速器·中间减速器另售。● 电动机型号的□中为表示带端子箱型的记号(T)。
Gearhead and mid-gearbox can be sold separately. Enter the code that represents the terminal box type (T) in the box (□) within the model name.
- 减速器型号的□中为减速比的数值。□色表示与电动机同一方向运转，其他则为相反方向。
Enter the gear ratio in the box (□) within the model name.
The colored background □ indicates the same rotating direction of the motor while the rotating direction of others are opposite.
- 转速是以电动机的同步转速 (50Hz:1500r/min、60Hz:1800r/min) 为基准除以减速比而算出来的数值。实际转速将随负载大小变化而比所示数值减少2%~20%左右。
The speed is calculated by diving the motor's synchronous speed (50Hz:1500r/min、60Hz:1800r/min) by the gear ratio. The actual speed is 2%~20% less than the displayed value, depending on the size of the load.
- 希望以大于下表的减速比进行进一步减速时，可在电动机与减速器之间安装减速比为10的中间减速器。这时的容许转矩为60N·m。
To reduce the speed beyond the gear ratio in the table, attach a mid-gearbox (gear ratio:10) between the gearhead and motor. In that case, the permissible torque is 60N·m.

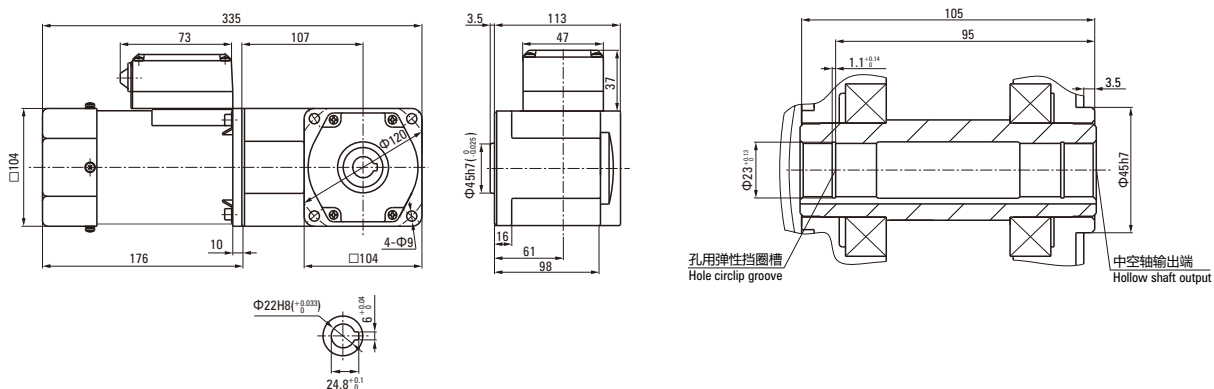
弧锥直角 SPIRAL BEVEL RIGHT ANGLE

容许力矩单位 Allowance Torque Unit: 上段 Upside (N.m) / 下段 Belowside (kgf.cm)

| 机型 Type 电动机/减速器 Motor/Gearhead | 减速比 Gear Ratio | 转速 Speed r/min | 7.5 | 9 | 12.5 | 15 | 18 | 25 | 30 | 36 | 50 | 60 | 75 | 90 | 100 | 120 | 150 | 180 | | | |
|---|------------------|-----------------------------|------|------|------|------|------|------|------|------|------|------|------|------|------|------|------|------|------|------|-----|
| | | | 50Hz | 200 | 166 | 120 | 100 | 83 | 60 | 50 | 42 | 30 | 25 | 20 | 16 | 15 | 12 | 10 | 8 | | |
| | | 60Hz | 240 | 200 | 144 | 120 | 100 | 72 | 60 | 50 | 36 | 30 | 24 | 20 | 18 | 15 | 12 | 10 | | | |
| 6IK140GU-AF□ 6IK140GU-EF□ 6IK140GU-CF□ 6IK140GU-HF□ 6IK140GU-SF□ 6IK140GU-S3F□ | 6GU□RC 6GU□RT | 容许力矩 Allowance Torque | 50Hz | 4.97 | 6.63 | 9.21 | 11.0 | 13.3 | 18.4 | 22.1 | 26.5 | 33.1 | 39.8 | 49.7 | 59.6 | 60.0 | 60.0 | 60.0 | 60.0 | 60.0 | |
| | | | 60Hz | 4.01 | 5.34 | 7.42 | 8.91 | 10.7 | 14.8 | 17.8 | 21.4 | 26.7 | 32.1 | 40.1 | 48.1 | 53.4 | 60.0 | 60.0 | 60.0 | 60.0 | |
| | | | 50Hz | 40.9 | 54.5 | 75.8 | 90.9 | 109 | 152 | 182 | 218 | 273 | 327 | 409 | 491 | 545 | 600 | 600 | 600 | 600 | 600 |
| | | | 60Hz | 40.9 | 54.5 | 75.8 | 90.9 | 109 | 152 | 182 | 218 | 273 | 327 | 409 | 491 | 545 | 600 | 600 | 600 | 600 | 600 |
| | | | 50Hz | 40.9 | 54.5 | 75.8 | 90.9 | 109 | 152 | 182 | 218 | 273 | 327 | 409 | 491 | 545 | 600 | 600 | 600 | 600 | 600 |
| | | | 60Hz | 40.9 | 54.5 | 75.8 | 90.9 | 109 | 152 | 182 | 218 | 273 | 327 | 409 | 491 | 545 | 600 | 600 | 600 | 600 | 600 |

电机尺寸图 Motor Size Chart

6IK140GU-AF□/6GU□RC 6IK140GU-CF□/6GU□RC 5IK140GU-SF□/6GU□RC
6IK140GU-EF□/6GU□RC 6IK140GU-HF□/6GU□RC 5IK140GU-S3F□/6GU□RC



6IK140GU-AF□/6GU□RT 6IK140GU-CF□/6GU□RT 5IK140GU-SF□/6GU□RT
6IK140GU-EF□/6GU□RT 6IK140GU-HF□/6GU□RT 5IK140GU-S3F□/6GU□RT

