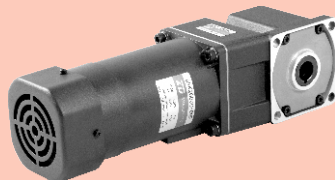


# 无励磁动作型电磁制动电动机 POWER OFF ACTIVATED TYPE ELECTROMAGNETIC BRAKE MOTOR

■ 200W □ 104mm



## 规格 Specs / 电动机 Motor

- 没有内置简易制动 This type of motor does not contain a built-in simple brake mechanism.

型号 Model · 类型 Type 导线型 Lead Wire Type	额定 Rating	输出功率 Output power	电压 Voltage	频率 Frequency	电流 Current	启动转矩 Starting Torque	额定转矩 Rated Torque	额定转速 Rated Speed	电容器容量 Capacitor
齿轮轴型 Pinion Shaft		W	V	Hz	A	mN.m	mN.m	r/min	μF
6RK200GU-AFM	30min	200	1ph 100	50	3.20	900	1385	1250	45
				60	3.50		1120	1550	
6RK200GU-EFM	30min	200	1ph 110	60	2.75	850	1120	1550	35
			1ph 120		2.65				
6RK200GU-CFM	30min	200	1ph 220	50	1.40	1100	1385	1250	12
			1ph 230						
6RK200GU-HFM	30min	200	1ph 220	60	1.40	1000	1120	1550	12
			1ph 230						
6RK200GU-SFM	30min	200	3ph 220	50	1.20	3400	1385	1250	-
				60	1.00	2700	1120	1550	
6RK200GU-S3FM	30min	200	3ph 380	50	0.69	3400	1385	1250	-
				60	0.58	2700	1120	1550	

- 各种安全规格以电动机铭牌上的型号取得认定。  
When the motor is approved under various safety standards, the model name on the nameplate is the approved model name.
- (T): 此为配件选项，如需要此功能，型号后需带 "P"。  
This option for the parts, such as the need for this feature, models need to bring "P".
- 电动机温度下降后会自动恢复运行，故在进行检查作业时请务必先切断电源。  
When the motor temperature drops, the thermal protector closes and the motor restarts. Be sure to turn the motor off before inspecting.
- 注：“-A”型号中电压为110V时，配置电容器容量以实际铭牌为准。  
Note: "-A" it means the voltage 110V, the assembly capacitor vaule it is according the labe.

## 装有减速器时的容许转矩 Gear Motor-Torque Table

- 减速器-中间减速器另售。● 电动机型号的□中为表示带端子箱型的记号(T)。  
Gearhead and mid-gearbox can be sold separately. Enter the code that represents the terminal box type (T) in the box (□) within the model name.
- 减速器型号的□中为减速比的数值。□色表示与电动机同一方向运转，其他则为相反方向。  
Enter the gear ratio in the box (□) within the model name.  
The colored background □ indicates the same rotating direction of the motor while the rotating direction of others are opposite.
- 转速是以电动机的同步转速 (50Hz:1500r/min、60Hz:1800r/min) 为基准除以减速比而算出来的数值。实际转速将随负载大小变化而比所示数值减少2%~20%左右。  
The speed is calculated by diving the motor's synchronous speed (50Hz:1500r/min、60Hz:1800r/min) by the gear ratio. The actual speed is 2%~20% less than the displayed value, depending on the size of the load.
- 希望以大于下表的减速比进行进一步减速时，可在电动机与减速器之间安装减速比为10的中间减速器。这时的容许转矩为60N·m。  
To reduce the speed beyond the gear ratio in the table, attach a mid-gearbox (gear ratio:10) between the gearhead and motor. In that case, the permissible torque is 60N·m.

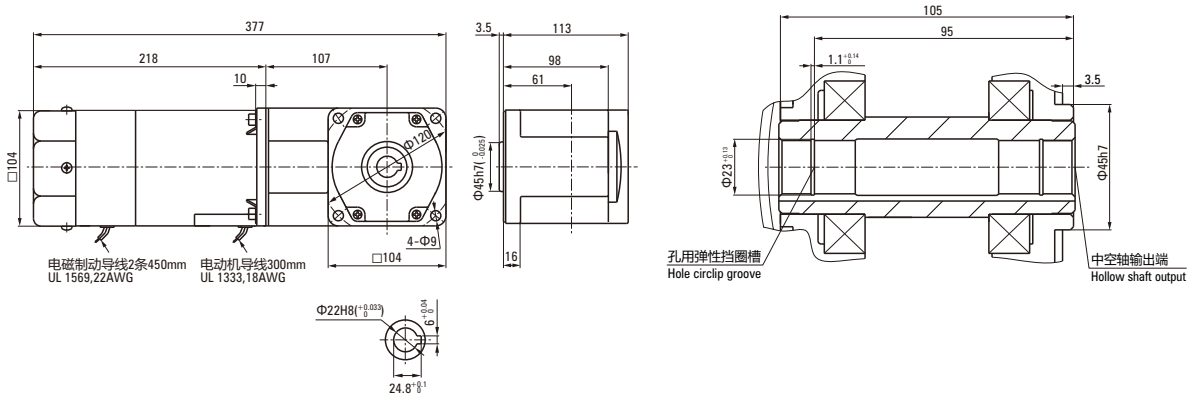
# 弧锥直角 SPIRAL BEVEL RIGHT ANGLE

容许力矩单位 Allowance Torque Unit: 上段 Upside (N.m) / 下段 Belowside (kgf.cm)

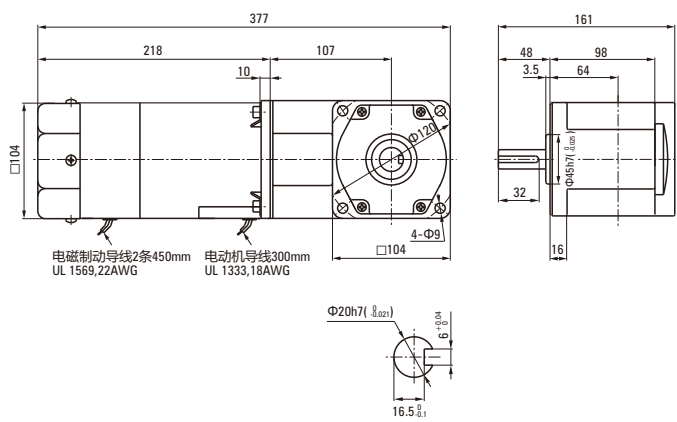
机型Type 电动机/减速器 Motor/Gearhead	减速比Gear Ratio	转速Speed r/min	7.5	9	12.5	15	18	25	30	36	50	60	75	90	100	120	150	180	
			50Hz	200	166	120	100	83	60	50	41	30	25	20	16	15	12	10	8
60Hz	240	200	144	120	100	72	60	50	36	30	24	20	18	15	12	10			
6RK200GU-AF□M 6RK200GU-EF□M 6RK200GU-CF□M 6RK200GU-HF□M 6RK200GU-SF□M 6RK200GU-S3F□M	6GU□RC 6GU□RT	容许力矩 Allowance Torque	50Hz	9.28	11.1	13.9	16.7	20.1	25.2	30.3	36.3	50.4	60.0	60.0	60.0	60.0	60.0	60.0	60.0
			60Hz	7.49	8.98	11.2	13.5	16.2	20.3	24.4	29.3	40.7	48.8	60.0	60.0	60.0	60.0	60.0	60.0
			60Hz	76.4	91.7	115	138	165	207	249	299	415	498	600	600	600	600	600	600
			60Hz	76.4	91.7	115	138	165	207	249	299	415	498	600	600	600	600	600	600

## 电机尺寸图 Motor Size Chart

6RK200GU-AF□M/6GU□RC 6RK200GU-CF□M/6GU□RC 6RK200GU-SF□M/6GU□RC  
6RK200GU-EF□M/6GU□RC 6RK200GU-HF□M/6GU□RC 6RK200GU-S3F□M/6GU□RC



6RK200GU-AF□M/6GU□RT 6RK200GU-CF□M/6GU□RT 6RK200GU-SF□M/6GU□RT  
6RK200GU-EF□M/6GU□RT 6RK200GU-HF□M/6GU□RT 6RK200GU-S3F□M/6GU□RT

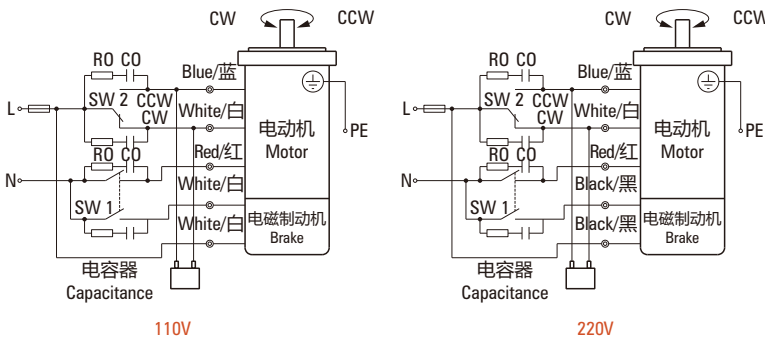


■ 连接图 Wiring Diagram

- 运转方向指从电动机轴看来的方向。CW表示顺时针方向，CCW表示逆时针方向。  
The direction of motor rotation is as viewed from the shaft end of motor. CW represents the clockwise direction, while CCW represents the counterclockwise direction.
- 表中所记品名为齿轮轴型，圆轴型亦同。Name indicated in the list is pinion shaft type, also valid for the equivalent round shaft type.

单相电动机 Single-phase Motor	
6RK200GU-AFM、6RK200GU-EFM、6RK200GU-CFM、6RK200GU-HFM	

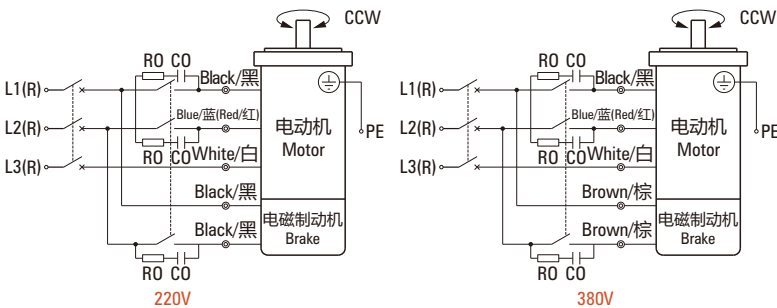
SW1为电动机的运行/停止及电磁制动操作作用开关。( 连动 )  
SW1 operates both motor and electromagnetic brake action. (Switched Simultaneously)  
SW1设定于ON时，电磁制动解除，电动机开始运行。  
The motor will rotate when SW1 is switched simultaneously to ON.  
SW1设定于OFF时，电动机停止，电磁制动开始工作。  
When SW1 is switched simultaneously to OFF, the motor stops immediately with the electromagnetic brake and holds the load.  
在电动机停止状态下解除电磁制动时，应将SW1设定为非连动，而仅将黑色导线侧的触点设定为ON。  
If you wish to release the brake while the motor is stopped, set the SW1 to off and connection point at the side of black lead to ON.  
运转方向。Direction of Rotation.  
将SW2转换至CW侧时，电动机作顺时针方向运转。  
To rotate the motor in a clockwise (CW) direction, turn SW2 to CW.  
将SW2转换至CCW侧时，电动机作逆时针方向运转。  
To rotate the motor in a counterclockwise (CCW) direction, turn SW2 to CCW.



开关号码 Switch No.	开关的触点容量 Capacitor of Switch Connection Point		参考 Note
	单相100V、 110/120V输入 Single-Phase 100V, 110/120V Input	单相220V、 230V输入 Single-Phase 200V, 220/230V Input	
SW1	AC 125V 8A以上 ( 感应负载 ) AC 125V 8A minimum (Inductive Load)	AC 250V 8A以上 ( 感应负载 ) AC 250V 8A minimum (Inductive Load)	连动Switched Simultaneously
SW2			-

三相电动机 Three-phase Motor	
6RK200GU-SFM(S3FM)	

SW1为电动机的运行/停止及电磁制动操作作用开关。( 连动 )  
SW1 operates both motor and electromagnetic brake action. (Switched Simultaneously)  
SW1设定于ON时，电磁制动解除，电动机开始运行。  
The motor will rotate when SW1 is switched simultaneously to ON.  
SW1设定于OFF时，电动机停止，电磁制动开始工作。  
When SW1 is switched simultaneously to OFF, the motor stops immediately with the electromagnetic brake and holds the load.  
在电动机停止状态下解除电磁制动时，应将SW1设定为非连动，而仅将黑色导线侧的触点设定为ON。  
If you wish to release the brake while the motor is stopped, set the SW1 to off and connection point at the side of black lead to ON.  
运转方向。Direction of Rotation.  
若对换R、S、T中任意二条，电动机逆时针方向运转。  
To change the rotation direction, change any two connections between R, S and T.



开关号码 Switch No.	开关的触点容量 Capacitor of Switch Connection Point	参考 Note
SW1	AC 250V 1.5A以上 ( 感应负载 ) AC 250V 1.5A minimum (Inductive Load)	连动 Switched Simultaneously

请注意Notes:

- R0C0为吸收电涌电压用CR电路。[ R0=5 ~ 200Ω、C0=0.1 ~ 0.2μF, 200WV (400WV) ] 请使用选购配件EPCR1201-2。
- R0C0 indicate surge suppressor circuit. [ R0=5 ~ 200Ω, C0=0.1 ~ 0.2μF, 200WV (400WV) ] EPCR1201-2 is available as an optional surge suppressor.