

无励磁动作型电磁制动电动机 POWER OFF ACTIVATED TYPE ELECTROMAGNETIC BRAKE MOTOR

■ 120W □ 90mm



规格 Specs / 电动机 Motor

- 没有内藏简易制动 This type of motor does not contain a built-in simple brake mechanism.

| 型号Model · 类型 Type 导线型 Lead Wire Type | 额定 Rating | 输出功率 Output power W | 电压 Voltage V | 频率 Frequency Hz | 电流 Current A | 启动转矩 Starting Torque mN.m | 额定转矩 Rated Torque mN.m | 额定转速 Rated Speed r/min | 电容器容量 Capacitor μF |
|---|--------------|------------------------------|--------------------|-----------------------|--------------------|------------------------------------|---------------------------------|---------------------------------|--------------------------|
| 齿轮轴型 Pinion Shaft | | | | | | | | | |
| 5RK120GU-AFM | 30min | 120 | 1ph 100 | 50 | 2.25 | 700 | 930 | 1250 | 35 |
| | | | | 60 | 2.85 | | 750 | 1550 | |
| 5RK120GU-EFM | 30min | 120 | 1ph 110 | 60 | 1.90 | 650 | 750 | 1550 | 30 |
| | | | 1ph 120 | | | 720 | | | |
| 5RK120GU-CFM | 30min | 120 | 1ph 220 | 50 | 1.15 | 720 | 930 | 1250 | 8.0 |
| | | | 1ph 230 | | | | | | |
| 5RK120GU-HFM | 30min | 120 | 1ph 220 | 60 | 1.20 | 720 | 750 | 1550 | 8.0 |
| | | | 1ph 230 | | | | | | |
| 5RK120GU-SFM | 30min | 120 | 3ph 220 | 50 | 0.70 | 1850 | 930 | 1250 | - |
| | | | | 60 | 0.60 | 1600 | 750 | 1550 | |
| 5RK120GU-S3FM | 30min | 120 | 3ph 380 | 50 | 0.40 | 1850 | 930 | 1250 | - |
| | | | | 60 | 0.35 | 1600 | 750 | 1550 | |

- 各种安全规格以电动机铭牌上的型号取得认定。
When the motor is approved under various safety standards, the model name on the nameplate is the approved model name.
- (T): 此为配件选项, 如需要此功能, 型号后需带 "P".
This option for the parts, such as the need for this feature, models need to bring "P".
- 电动机温度下降后会自动恢复运行, 故在进行检查作业时请务必先切断电源。
When the motor temperature drops, the thermal protector closes and the motor restarts. Be sure to turn the motor off before inspecting.
- 注: "-A" 型号中电压为110V时, 配置电容器容量以实际铭牌为准。
Note: "-A" it means the voltage 110V, the assembly capacitor vaule it is according the labe.

装有减速器时的容许转矩 Gear Motor-Torque Table

- 减速器·中间减速器另售。● 电动机型号的□中为表示带端子箱型的记号(T)。
Gearhead and mid-gearbox can be sold separately. Enter the code that represents the terminal box type (T) in the box (□) within the model name.
- 减速器型号的□中为减速比的数值。□色表示与电动机同一方向运转, 其他则为相反方向。
Enter the gear ratio in the box (□) within the model name.
The colored background □ indicates the same rotating direction of the motor while the rotating direction of others are opposite.
- 转速是以电动机的同步转速 (50Hz:1500r/min、60Hz:1800r/min) 为基准除以减速比而算出来的数值。实际转速将随负载大小变化而比所示数值减少2%~20%左右。
The speed is calculated by diving the motor's synchronous speed (50Hz:1500r/min、60Hz:1800r/min) by the gear ratio. The actual speed is 2%~20% less than the displayed value, depending on the size of the load.
- 希望以大于下表的减速比进行进一步减速时, 可在电动机与减速器之间安装减速比为10的中间减速器。这时的容许转矩为20N·m。
To reduce the speed beyond the gear ratio in the table, attach a mid-gearbox (gear ratio:10) between the gearhead and motor. In that case, the permissible torque is 20N·m.

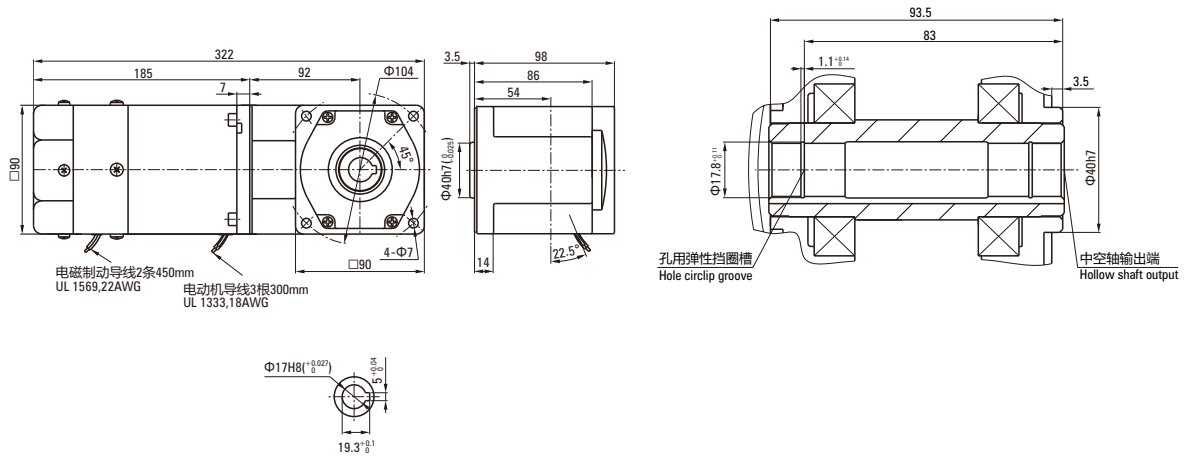
弧锥直角 SPIRAL BEVEL RIGHT ANGLE

容许力矩单位 Allowance Torque Unit: 上段 Upside (N.m) / 下段 Belowside (kgf.cm)

| 机型Type 电动机/减速器 Motor/Gearhead | 减速比Gear Ratio | 转速Speed r/min | 7.5 | 9 | 12.5 | 15 | 18 | 25 | 30 | 36 | 50 | 60 | 75 | 90 | 100 | 120 | 150 | 180 | | |
|---|------------------|-----------------------------|------|------|------|------|------|------|------|------|------|------|------|------|------|------|------|------|------|------|
| | | | 50Hz | 200 | 166 | 120 | 100 | 83 | 60 | 50 | 41 | 30 | 25 | 20 | 16 | 15 | 12 | 10 | 8 | |
| 60Hz | 240 | 200 | 144 | 120 | 100 | 72 | 60 | 50 | 36 | 30 | 24 | 20 | 18 | 15 | 12 | 10 | | | | |
| 5RK120GU-AF□M 5RK120GU-EF□M 5RK120GU-CF□M 5RK120GU-HF□M 5RK120GU-SF□M 5RK120GU-S3F□M | 5GU□RC 5GU□RT | 容许力矩 Allowance Torque | 50Hz | 4.73 | 5.68 | 7.89 | 9.47 | 11.4 | 15.8 | 18.9 | 20.0 | 20.0 | 20.0 | 20.0 | 20.0 | 20.0 | 20.0 | 20.0 | 20.0 | 20.0 |
| | | | 60Hz | 48.3 | 58.0 | 80.5 | 96.6 | 116 | 161 | 193 | 200 | 200 | 200 | 200 | 200 | 200 | 200 | 200 | 200 | 200 |
| | | 50Hz | 3.82 | 4.58 | 6.36 | 7.64 | 9.16 | 12.7 | 15.3 | 16.5 | 20.0 | 20.0 | 20.0 | 20.0 | 20.0 | 20.0 | 20.0 | 20.0 | 20.0 | 20.0 |
| | | 60Hz | 39.0 | 46.7 | 64.9 | 77.9 | 93.5 | 130 | 156 | 168 | 200 | 200 | 200 | 200 | 200 | 200 | 200 | 200 | 200 | 200 |

电机尺寸图 Motor Size Chart

5RK120GU-AF□M/5GU□RC 5RK120GU-CF□M/5GU□RC 5RK120GU-SF□M/5GU□RC
5RK120GU-EF□M/5GU□RC 5RK120GU-HF□M/5GU□RC 5RK120GU-S3F□M/5GU□RC



5RK120GU-AF□M/5GU□RT 5RK120GU-CF□M/5GU□RT 5RK120GU-SF□M/5GU□RT
5RK120GU-EF□M/5GU□RT 5RK120GU-HF□M/5GU□RT 5RK120GU-S3F□M/5GU□RT

