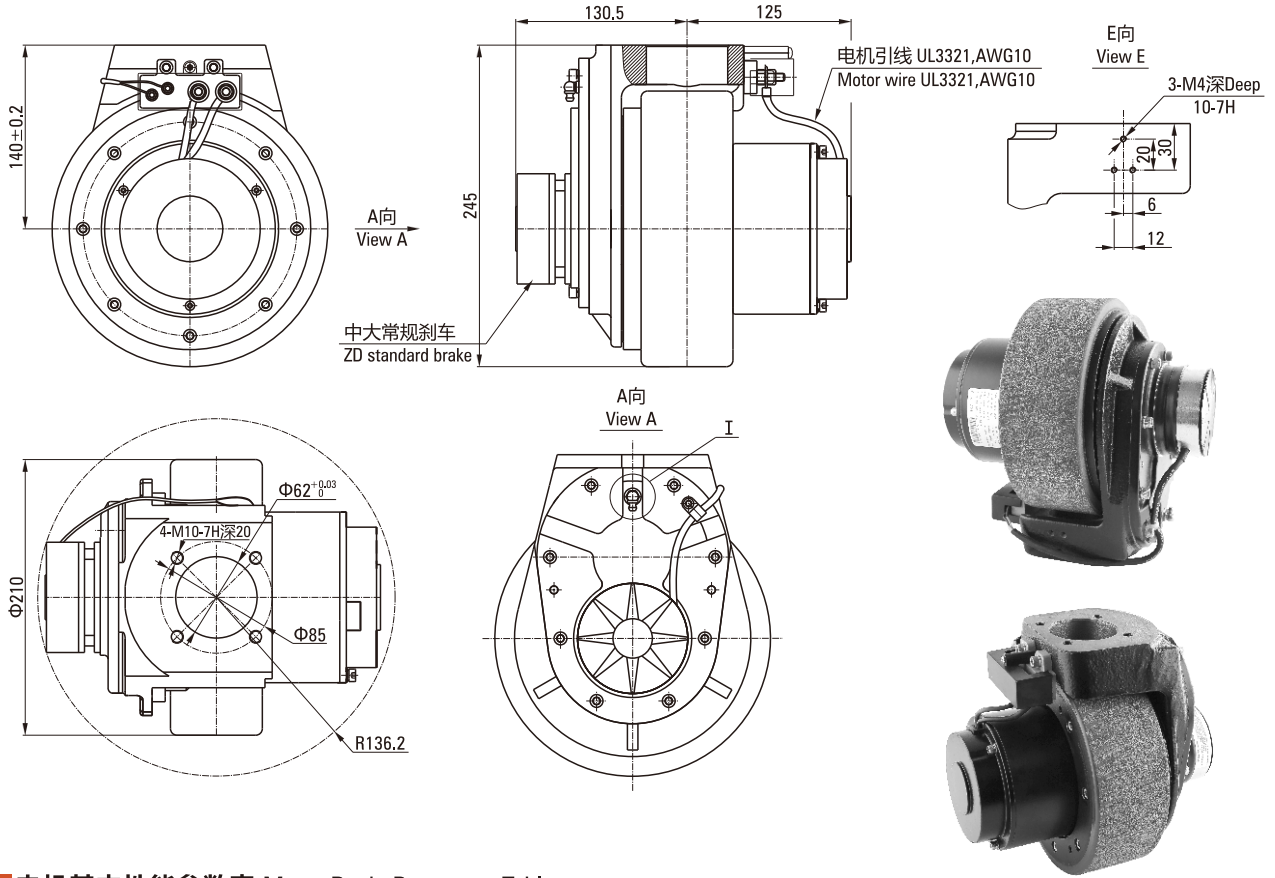


# 210有刷 210 BRUSHED

## Z130D650-24A1-26.5S-Q/NL-210-001



### 电机基本性能参数表 Motor Basic Parameter Table

型号 Type	Z130D650-24A1-26.5S-Q	防护等级 Protection grade	IP44
额定电压 Rated voltage	24V DC	减速器型号 Reducer model	NL-210-001
额定功率 Rated power	650W	减速器速比 Reduction ratio	24.685K/17K
额定电流 Rated current	38A±10%	刹车电压 Brake voltage	24V DC
额定转速 Rated speed	2650rpm±10%	刹车力矩 Brake torque	6N.m
额定力矩 Rated torque	2.34N.m	使用环境温度 Ambient temperature	-10°C ~ +40°C
空载电流 No-load current	≤11A	噪音 Noise	<65dB(A)(L=100cm)
空载转速 No-load speed	3100rpm±10%	电机接线图 Wire diagram A向 view A	
工作制 Work duty	S2(45min)		
绝缘电阻 Insulation resistance	>20MΩ		
电刷寿命 Brush life	1200h		
电气强度 Electrical strength	660V/S		
绝缘等级 Insulation class	F		

### 技术要求 Technical Requirement

- 电机基本参数如图所示；  
The basic parameters of the motor are shown in the table;
- 红色引线接正和黑色引接负，从刹车安装端看驱动轮顺时针转，引线位置对调，驱动轮的转向相反；  
The red lead is connected to the positive and the black lead is connected to the negative. Seen from the brake installation end, the drive wheel turns clockwise. When the lead position is reversed, the drive wheel turns in the opposite direction;
- 电刷工作寿命为1200个小时；  
The working life of the brush is 1200 hours;
- 电机外露螺钉采用不锈钢螺钉，包胶轮外露螺钉采用达克罗；  
The exposed screws of the motor use stainless steel screws, and the exposed screws of rubber wheel use dacromet screws;
- 诺力加强型，铭牌上用V003表示加强型。  
Nuoli enhanced type, "V003" on the nameplate indicates enhanced type.