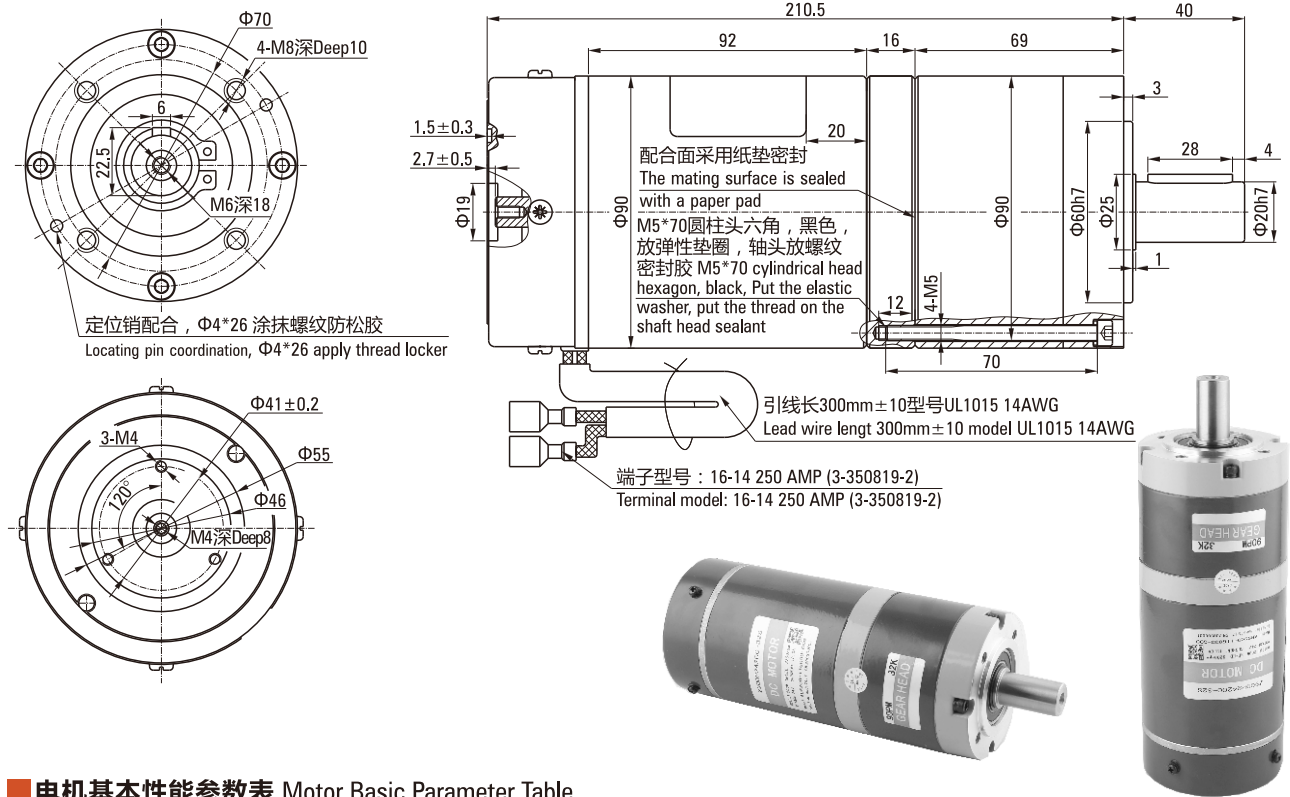


90DP+90PM助力转向 90DP+90PM POWER STEERING

12441418W



电机基本性能参数表 Motor Basic Parameter Table

型号 Type	Z90DP24200-32S	齿轮箱与电机输出轴旋向 Gearbox direction	相同 Same as motor
额定电压 Rated voltage	24V DC	轴承型式 Bearing type	滚动轴承 Ball bearing
额定功率 Rated power	200W	齿轮箱结构 Gearbox structure	一体式 Integrated
额定电流 Rated current	13A±10%	传动效率 Efficiency	94%
额定转速 Rated speed	3200rpm±10%	齿轮箱输出力矩 Gearbox output torque	17.954N.m
额定力矩 Rated torque	0.597N.m	齿轮箱额定力矩 Gearbox rated torque	120N.m
空载电流 Noload current	≤3.5A	齿轮箱最大力矩 Gearbox max torque	2倍于额定 2 x rated
空载转速 Noload speed	3600rpm±10%	使用环境温度 Ambient temperature	-10°C~+40°C
工作制 Work duty	S2(10min)	噪音 Noise	< 60dB(L=100cm)
绝缘电阻 Insulation resistance	>20MΩ	电机接线图 Wire diagram	
电刷寿命 Brush life	2000h		
电气强度 Electrical strength	660V/S		
绝缘等级 Insulation class	B		
防护等级 Protection grade	IP20		
齿轮箱规格 Gearbox spec	90PM32K		
减速级数 Reduction stage	2		

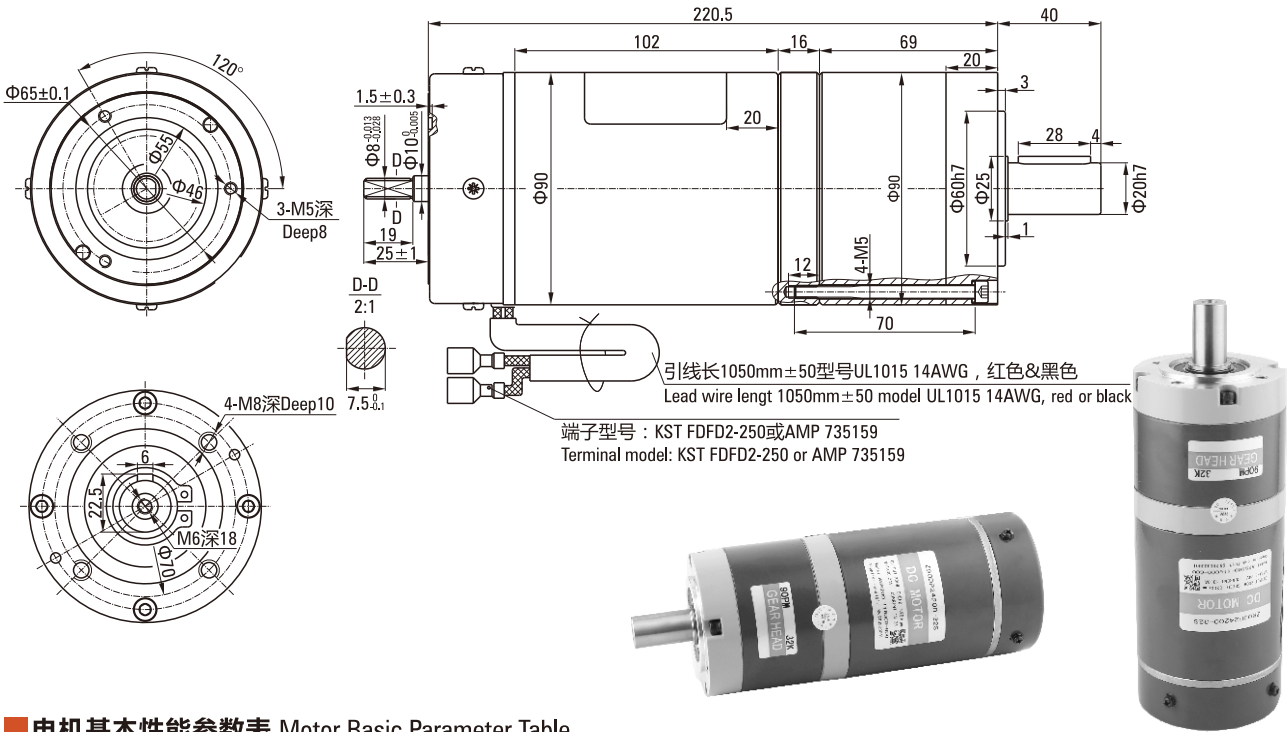
技术要求 Technical Requirement

- 电机基本参数如图纸中的铭牌数据；
Motor basic parameters are as nameplate in drawing shows;
- 红色引线接正和黑色引接负，从轴的伸出端看电机顺时针转，引线位置对调，电机的转向相反；
The red lead is connected to the positive and the black lead is connected to the negative. Seen from the output shaft, motor turns clockwise. When the lead position is reversed, the motor turns in the opposite direction;
- 电刷工作寿命为2000个小时；The working life of the brush is 2000 hours;
- 引出线长度：300mm±10，型号：UL1015，规格：AWG14，铭牌粘贴。如图所示，距离前端盖20mm处；
Lead wire length: 300mm±10, model: UL1015, spec: AWG14, nameplate position as shown in the picture, 20mm from the front cover;

- 减速器配合螺钉要紧凑，固定前需涂抹螺纹防松胶；
Screws of gearbox and motor should be firmly tightened and threaded glue should be applied before tightening;
- 电机配合用定位销和减速器表面配合用定位销均在光电机和整机装配测试完成之后；
Insert dowel pin of motor and gearbox separately after testing motor and machine;
- 电机及整机所有性能测试完成后压装端子，端子应能承受5KG拉力，1分钟内不得有脱落或松动等不良现象发生。
Connect terminal to lead wire after testing motor and machine. terminal should be able to support 5kgs pull and won't drop or loosen in 1min.

90DP+90PM助力转向 90DP + 90PM POWER STEERING

Z90DPM24400-32S/90ZPM32K



电机基本性能参数表 Motor Basic Parameter Table

型号 Type	Z90DPM24400-32S	齿轮箱与电机输出轴旋向 Gearbox direction	相同 Same as motor
额定电压 Rated voltage	24V DC	轴承型式 Bearing type	滚珠轴承 Ball bearing
额定功率 Rated power	400W	齿轮箱结构 Gearbox structure	一体式 Integrated
额定电流 Rated current	24A±10%	传动效率 Efficiency	81%
额定转速 Rated speed	3200rpm±10%	齿轮箱输出力矩 Gearbox output torque	30.5N.m
额定力矩 Rated torque	1.19N.m	齿轮箱额定力矩 Gearbox rated torque	120N.m
空载电流 Noload current	≤5.0A	齿轮箱最大力矩 Gearbox max torque	2倍于额定 2 x rated
空载转速 Noload speed	3700rpm±10%	使用环境温度 Ambient temperature	-10°C~+40°C
工作制 Work duty	S2(10min)	噪音 Noise	< 60dB(L=100cm)
绝缘电阻 Insulation resistance	>20MΩ	电机接线图 Wire diagram	
电刷寿命 Brush life	1500h		
电气强度 Electrical strength	660V/S		
绝缘等级 Insulation class	B		
防护等级 Protection grade	IP20		
齿轮箱规格 Gearbox spec	90PM32K		
减速级数 Reduction stage	2		

技术要求 Technical Requirement

- 电机基本参数如图纸中的铭牌数据；
Motor basic parameters are as nameplate in drawing shows;
- 红色引线接正和黑色引接负，从轴的伸出端看电机顺时针转，引线位置对调，电机的转向相反；
The red lead is connected to the positive and the black lead is connected to the negative. Seen from the output shaft, motor turns clockwise. When the lead position is reversed, the motor turns in the opposite direction;
- 电刷工作寿命为1500个小时； The working life of the brush is 1500 hours;
- 引出线长度：1050mm±50，型号：UL1015，规格：AWG14、铭牌粘贴。如图所示，距离前端盖20mm处；
Lead wire length: 1050mm±50, model: UL1015, spec: AWG14, nameplate position is as the picture shows, 20mm from the front cover;
- 减速器配合螺钉要紧凑，固定前需涂抹螺纹防松胶；
Gearbox screws should be firmly tightened and threaded glue should be applied before tightening;
- 电机配合用定位销和减速器表面配合用定位销均在光电机和整机装配测试完成之后；
Insert dowel pin of motor and gearbox separately after testing motor and machine;
- 电机及减速器配合螺钉要紧凑，固定前需涂抹螺纹防松胶。
Screws of gearbox and motor should be firmly tightened and threaded glue should be applied before tightening.