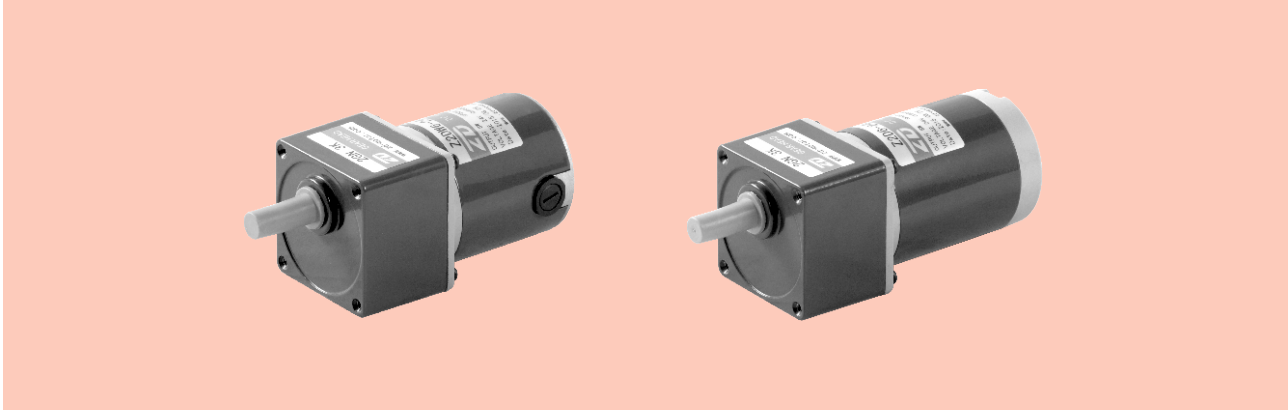


# 直流电动机 DC MOTORS

6W □60mm



## 电机性能参数 Motor Performance Parameters

型号 Model	电压 Voltage V	功率 Power W	空载参数No-load Parameters		负载参数Load Parameters			电刷寿命 Brush Life H	电机重量 Motor Weight kg
			转速Speed r/min	电流Current A	转速Speed r/min	力矩Torque mN.m	电流Current A		
Z2D06-12 □	12	6	3200	0.6Max.	2950	19	0.8	2000	0.6
Z2DW06-12□	12	6	3200	0.6Max.	2950	19	0.8	2000	0.6
Z2D06-24 □	24	6	3200	0.3Max.	2950	19	0.5	2000	0.6
Z2DW06-24□	24	6	3200	0.3Max.	2950	19	0.5	2000	0.6
Z2D06-90 □	90	6	3000	0.2Max.	2800	20	0.3	2000	0.6
Z2DW06-90□	90	6	3000	0.2Max.	2800	20	0.3	2000	0.6

- 电机电压、功率及转速可在配件尺寸等条件下根据客户要求定制。  
Motor voltage, power and speed will be customized according to his requestment under the allowed circumstance of adoptable dimension.
- D后如加W即Z2DW06-12GN表示外置电刷齿轴电机，如无W则为标准内置电刷齿轴电机：外置电刷电机，用户可自行在外部更换电刷；内置电刷电机更换电刷时需将电机拆装后方可更换。  
We use W after D in the model to express the external brush motor, such as Z2DW06-12GN. If no W, it means the standard internal brush motor. For external brush motor, you can replce the brush directly, For internal ones, we need to disassembly the motor first.

## 种类 Type

### 电动机 Motor

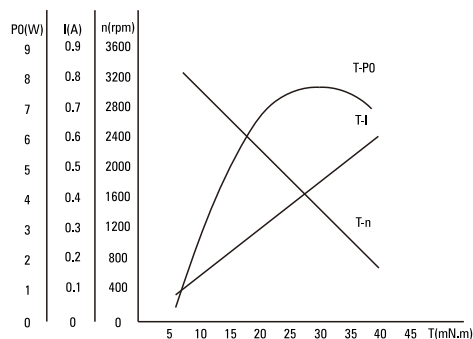
机型 Type	型号Model	
	齿轮轴型 Pinion Shaft	圆轴型 Round Shaft
导线型 Lead Wire Type	Z2D06-12GN	Z2D06-12A
	Z2DW06-12GN	Z2DW06-12A
	Z2D06-24GN	Z2D06-24A
	Z2DW06-24GN	Z2D06-24A
	Z2D06-90GN	Z2D06-90A
	Z2DW06-90GN	Z2DW06-90A

### 平行轴减速器 (另售) Parallel Shaft Gearhead (Sold Separately)

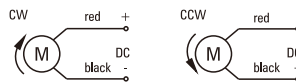
减速器种类 Gearhead Type	减速器型号 Gearhead Model	减速比 Gear Ratio
长寿命•低噪音 Long Life • Low Noise	2GN□K	3、3.6、5、6、7.5、9、10、 12.5、15、18、20、25、30、 36、40、50、60、75、90、 100、120、150、180、200
	2GN10XK (中间减速器 Decimal Gearhead)	

- 减速器型号的□中为减速比的数值  
Enter the gear ratio in the box (□) within the model name

### 电机特性曲线 Characteristic Curve Of Motor



### 电机接线图 Wiring Diagram Of Motor



- 标准引出线长度: 300mm±10, 型号: UL1015, 规格: AWG20; 电机引出线长度、型号在配件尺寸等条件允许的情况下可根据客户要求定制。  
Stanclard length of lead wire: 300mm±10, model: UL1015, type: AWG20; lead wire length, model will be customerised by dient requestmant under allowed circumstance of adoptable dimension.

## ■ 装有减速器时的容许转矩 Gear Motor-Torque Table

- 减速器另售·中间减速器另售。  
Gearheads are sold separately. Decimal gearheads are not available.
- 减速品型号的□中为减速比的数值。  
Enter the gear ratio in the box (□) within the model name.
- □色表示与电动机同一方向运转，其他则为相反方向。  
The colored background □ indicates the same rotating direction of the motor while the rotating direction of others are opposite.
- 转速是以电动机的额定转速为基准除以减速比而算出来的数值。实际转速将随负载大小变化而比所示数值减少2%~20%左右。  
The speed is calculated by dividing the motor's synchronous speed by the gear ratio. The actual speed is 2%~20% less than the displayed value, depending on the size of the load.
- 希望以大于下表的减速比进行进一步减速时，可在电动机与减速机之间安装减速比为10的中间减速器。  
这时的容许转矩为3N·m。  
To reduce the speed beyond the gear ratio in the table, attach a decimal gearhead (gear ratio:10) between the gearhead and motor. In that case, the permissible torque is 3N·m.

## ■ 容许力矩单位 Allowance Torque Unit : 上段 Upside ( N.m ) /下段 Belowside ( kgf.cm )

型号 Type	减速比 Gear Ratio	3	3.6	5	6	7.5	9	10	12.5	15	18	20	25	30	36	40	50	60	75	90	100	120	150	180	200
Z2D06-24GN	转速 Speed r/min	983	819	590	492	393	328	295	236	197	164	148	118	98	82	74	59	49	39	33	30	25	20	16	15
	2GN□K	0.05	0.06	0.08	0.09	0.12	0.14	0.16	0.20	0.24	0.28	0.28	0.35	0.42	0.51	0.57	0.71	0.76	0.96	1.15	1.27	1.53	1.91	2.29	2.55
		0.46	0.56	0.77	0.93	1.16	1.39	1.54	1.93	2.31	2.78	2.78	3.47	4.16	5.00	5.55	6.94	7.49	9.37	11.2	12.5	15.0	18.7	22.5	25.0

## ■ 容许悬挂负载·容许轴向负载 To Allow The Hoisting Of The Load Allow Axial Load

电动机 (圆轴型) → 215页

Motor (Round shaft) → P215

减速机 → 215页

Gearhead → P215

## ■ 减速机的容许负载惯性惯量 J Permissible Load Inertia J For Gearhead

→ 215页 → P215

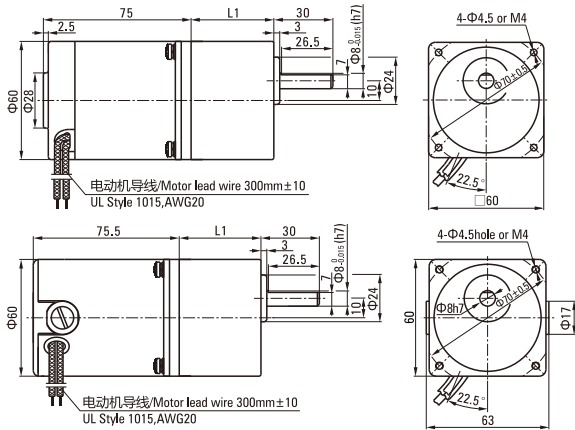
## ■ 外形图 (单位 mm) Dimensions (Unit mm)

减速机附有安装用螺丝 Mounting screws are included with gearhead.

### ● 导线型 Lead Wiring Type

重量 Weight : 电动机 Motor : 0.6kg

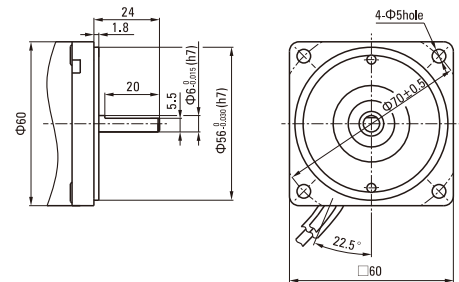
减速机 Gearhead : 0.4kg



### ● 圆轴型的转轴部分 Shaft Section Of Round Shaft Type

除重量及轴部外电动机外形与齿轮轴型相同。

Excluding weight and the shaft section motor shape are the same as those of the pinion shaft type.



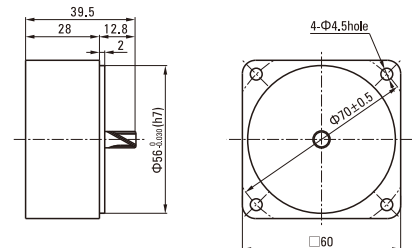
### ● 中间减速器 Decimal Gearhead

可安装在GN齿轮轴型上 Can be connected to GN pinion shaft type

电动机外形与齿轮轴型相同

2GN10X

重量 Weight : 0.24kg



电动机型号 Motor Model	减速器型号 Gearhead Model	减速比 Gear Ratio	L1
Z2D06-12GN Z2DW06-12GN Z2D06-24GN Z2DW06-24GN Z2D06-90GN Z2DW06-90GN	2GN□K	3~200	41

- 减速器型号的□中为减速比的数值 Enter the gear ratio in the box (□) within the model name
- 减速比3~18可以做成短箱体 (L1=32) Gear ratio 3~18, short case is possible (L1=32)