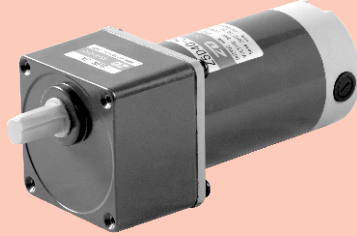


# 直流电动机 DC MOTORS

■ 40W □ 90mm



## 电机性能参数 Motor Performance Parameters

型号 Model	电压 Voltage	功率 Power	空载参数No-load Parameters		负载参数Load Parameters			电刷寿命 Brush Life	电机重量 Motor Weight
			转速Speed	电流Current	转速Speed	力矩Torque	电流Current		
	V	W	r/min	A	r/min	mN.m	A	H	kg
Z5D40-12□	12	40	3100	2.0Max.	2800	136	5.2	2000	1.9
Z5D40-24□	24	40	3000	1.0Max.	2800	136	2.6	2000	1.9
Z5D40-90□	90	40	3200	0.3Max.	3000	127	0.7	2000	1.9

●电机电压、功率及转速可在配件尺寸等条件下根据客户要求定制。

Motor voltage, power and speed will be customized according to his requestment under the allowed circumstance of adoptable dimension.

## 种类 Type

### ● 电动机 Motor

机型 Type	型号Model		
	齿轮轴型 Pinion Shaft	圆轴型 Round Shaft	圆轴型 Round Shaft
导线型 Lead Wire Type	Z5D40-12GN	Z5D40-12A	Z5D40-12A1
	Z5D40-24GN	Z5D40-24A	Z5D40-24A1
	Z5D40-90GN	Z5D40-90A	Z5D40-90A1

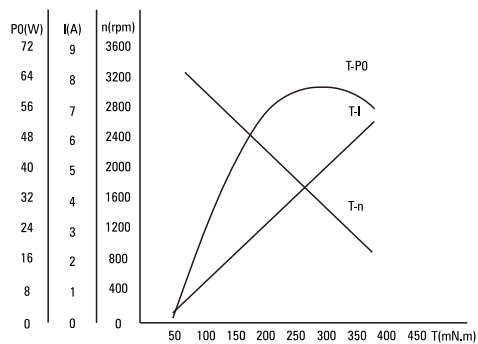
### ● 平行轴减速器 (另售) Parallel Shaft Gearhead (Sold Separately)

减速器种类 Gearhead Type	减速器型号 Gearhead Model	减速比 Gear Ratio
长寿命●低噪音 Long Life ● Low Noise	5GN□K	3、3.6、5、6、7.5、9、10、12.5、15、18、20、25、30、36、40、50、60、75、90、100、120、150、180、200
	5GN10XK (中间减速器 Decimal Gearhead)	

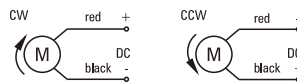
●减速器型号的□中为减速比的数值

Enter the gear ratio in the box (□) within the model name

### ● 电机特性曲线 Characteristic Curve Of Motor



### ● 电机接线图 Wiring Diagram Of Motor



●标准引出线长度: 300mm±10, 型号: UL1015, 规格: AWG16; 电机引出线长度、型号在配件尺寸等条件允许的情况下可根据客户要求定制。

Stanclard length of lead wire: 300mm±10, model: UL1015, type: AWG16; lead wire length, model will be customerised by dient requestmant under allowed circumstance of adoptable dimension.

## ■ 装有减速器时的容许转矩 Gear Motor-Torque Table

- 减速器另售·中间减速器另售。

Gearheads are sold separately. Decimal gearheads are not available.

- 减速品型号的□中为减速比的数值。

Enter the gear ratio in the box (□) within the model name.

- □色表示与电动机同一方向运转，其他则为相反方向。

The colored background □ indicates the same rotating direction of the motor while the rotating direction of others are opposite.

- 转速是以电动机的额定转速为基准除以减速比而算出来的数值。实际转速将随负载大小变化而比所示数值减少2%~20%左右。

The speed is calculated by dividing the motor's synchronous speed by the gear ratio. The actual speed is 2%~20% less than the displayed value, depending on the size of the load.

- 希望以大于下表的减速比进行进一步减速时，可在电动机与减速机之间安装减速比为10的中间减速器。

这时的容许转矩为10N·m。

To reduce the speed beyond the gear ratio in the table, attach a decimal gearhead (gear ratio:10) between the gearhead and motor. In that case, the permissible torque is 10N·m.

## ■ 容许力矩单位 Allowance Torque Unit : 上段 Upside ( N.m ) /下段 Belowside ( kgf.cm )

型号 Type	减速比 Gear Ratio	3	3.6	5	6	7.5	9	10	12.5	15	18	20	25	30	36	40	50	60	75	90	100	120	150	180	200
Z5D40-24GN	转速 Speed r/min	933	778	560	467	373	311	280	224	187	156	140	112	93	78	70	56	47	37	31	28	23	19	16	14
	5GN□K	0.33	0.40	0.55	0.66	0.83	0.99	1.11	1.38	1.66	1.79	1.99	2.49	2.98	3.58	3.58	4.48	5.37	6.71	8.06	8.95	10.0	10.0	10.0	10.0
		3.25	3.90	5.41	6.50	8.12	9.75	10.8	13.5	16.2	17.5	19.5	24.4	29.2	35.1	35.1	43.9	52.6	65.8	78.9	87.7	100	100	100	100

## ■ 容许悬挂负载 · 容许轴向负载 To Allow The Hoisting Of The Load Allow Axial Load

电动机 (圆轴型) → P215

Motor (Round shaft) → P215

减速机 → P215

Gearhead → P215

## ■ 减速机的容许负载惯性惯量 J Permissible Load Inertia J For Gearhead

→ P215页 → P215

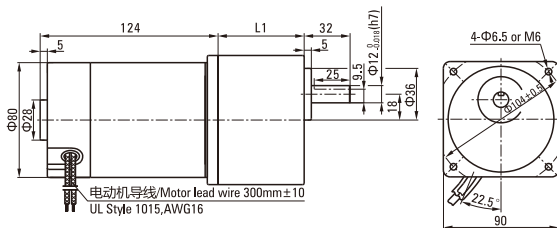
## ■ 外形图 (单位 mm) Dimensions (Unit mm)

减速机附有安装用螺丝 Mounting screws are included with gearhead.

- 导线型 Lead Wiring Type

重量 Weight : 电动机 Motor : 1.9kg

减速机 Gearhead : 1.35kg



电动机型号 Motor Model	减速机型号 Gearhead Model	减速比 Gear Ratio	L1
Z5D40-12GN Z5D40-24GN Z5D40-90GN	5GN□K	3~200	42.5

- 减速机型号的□中为减速比的数值

Enter the gear ratio in the box (□) within the model name

- 减速比3~18可以做成短箱体 (L1=32)

Gear ratio 3~18, short case is possible (L1=32)

- 键·键槽 (减速机附件)

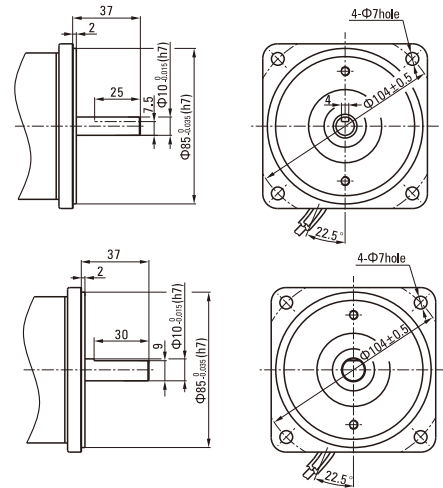
Key·Keyway (The Key Is Included With The Gearhead)



- 圆轴型的转轴部分 Shaft Section Of Round Shaft Type

除重量及轴部外电动机外形与齿轮轴型相同。

Excluding weight and the shaft section motor shape are the same as those of the pinion shaft type.



- 中间减速器 Decimal Gearhead

可安装在GN齿轮轴型上 Can be connected to GN pinion shaft type

电动机外形与齿轮轴型相同

5GN10X

重量 Weight : 0.41kg

