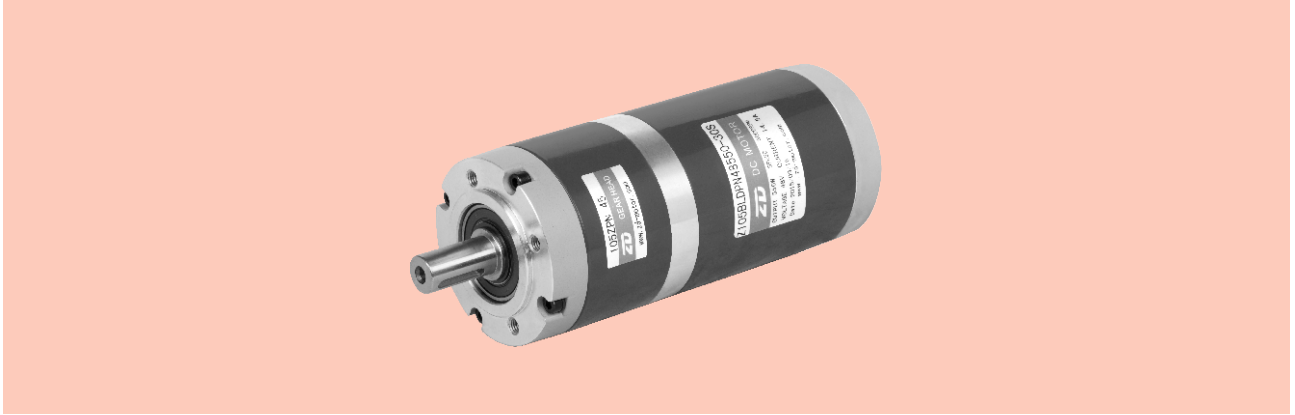
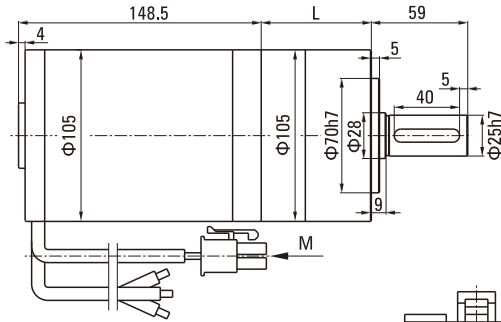
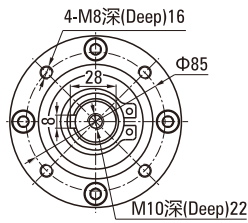


ZPN系列  
ZPN SERIES

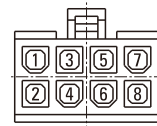
ZPNΦ105 BRUSHLESS无刷



外径105直流无刷行星减速电机外形图纸 Outside Diameter 105 DC Brushless Motor



M向视图  
(View M)



1	2	3	4	5	6	7	8
			GND	Hv	Hw	Hu	+Vcc

电机型号 Motor Type	减速箱型号 Gearbox Model	减速比 Gear Ratio	L尺寸(mm) Dimension
Z105BLDPN	105ZPN□	一级Stage1 3.65~8.63	83.80
		二级Stage2 14~58	114.9
		三级Stage3 67~393	146.0

无刷直流电机技术参数 BLDC Motor Technical Data

电机型号 Motor Type	电压 Voltage V	功率 Power W	空载电流 No-load Current A	空载转速 No-load Speed RPM	额定电流 Rated Current A	额定转速 Rated Speed RPM	额定力矩 Rated Torque N.m	电机寿命 Motor Life H
Z105BLDPN24350-30S	24	350	1.8	3500	18.5	3000	1.114	5000
Z105BLDPN48550-30S	48	550	1.5	3500	14.5	3000	1.751	5000
Z105BLDPN48750-30S	48	750	1.8	3600	19.5	3000	2.386	5000

无刷直行星减速电机技术参数 BLDC Planetary Gear Motor Technical Data-Z105BLDPN48550-30S

减速比 Ratio	3.65	5.36	6.55	8.63	13.53	18.92	24.65	28.05	33.92	44.69	58.22	67.08	81.11
输出轴转速 r/min Output shaft speed	822	560	458	348	222	159	122	107	89	67	52	45	37
允许力矩 N.m Allowable torque	5.75	8.45	10.32	13.60	19.19	26.83	34.96	39.78	48.10	63.38	82.57	85.74	103.67
减速级数 Reduction stage	1	1	1	1	2	2	2	2	2	2	2	3	3

减速比 Ratio	91.36	102.88	118.98	127.74	145.36	165.64	191.56	231.61	301.68	392.98			
输出轴转速 r/min Output shaft speed	33	29	25	24	21	18	16	13	9.9	7.6			
允许力矩 N.m Allowable torque	116.77	131.49	152.07	163.27	185.79	195.00	195.00	195.00	195.00	195.00			
减速级数 Reduction stage	3	3	3	3	3	3	3	3	3	3			