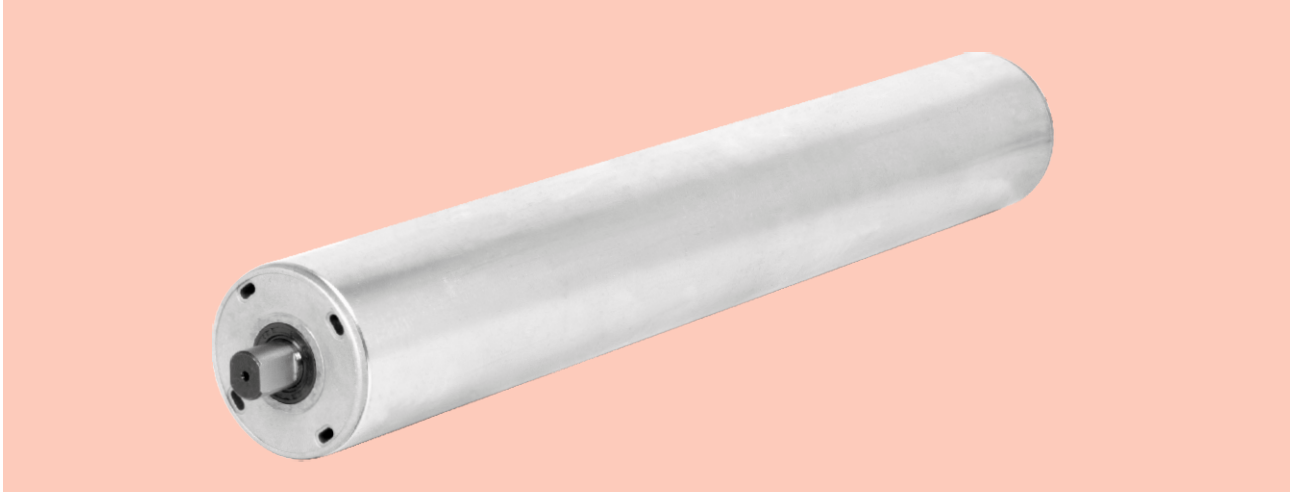


## DM80电动滚筒 DM80 DRUM MOTOR



P14

### 产品信息 Product Information

此款电动滚筒是在空间有限或操作不便的高扭矩应用的理想化选择，采用高合金钢精磨齿轮和行星传动结构为主体设计，具有性能可靠、免维护、适合较小的安装空间及超低噪声等诸多优点。适用于多个领域：

This type of drum motor can be installed in limited space and meet the torque requirement. Using alloy steel grinded gears and planetary transmission structure, it is reliable, free of maintenance and oil-renewing, space-saving. It can be use in many fields:

- |          |                            |
|----------|----------------------------|
| • 超市收银台  | Supermarket cashier        |
| • 安检机    | Security machine           |
| • 包装机械   | Packaging machinery        |
| • 食品加工业  | Food processing industry   |
| • 皮带输送线  | Belt conveyor line         |
| • 动态称重设备 | Dynamic weighing apparatus |

### DM80电动滚筒特征 DM80 Characteristics Of Drum Motor

#### ● 筒体 Drum Shell

- 标准筒体为低碳钢材质，成品表面镀锌，做环保标志 • 食品级筒体为304不锈钢
- Material of standard drum shell is mild steel, zinc plated, with ECO mark • Food garde shell is 304 stainless steel

#### ● 齿轮传动 Gear Drive

- 高合金钢精磨齿轮或二次刮削 • 行星齿轮传动
- High alloy steel grinding or scraping gear two • Planetary gear transmission

#### ● 齿轮箱 Gearbox

- 确保传动时低噪音，采用新型聚合物行星轮和金属齿轮组合变速箱
- Ensure the transmission with low noise, using the new polymer planet wheel and metal gear transmission

#### ● 电机 Motor

- 频率在50Hz或60Hz时，适用于全球各种通用电压 • 电机绝缘等级F级 • 所有电机附加过热保护器 • 散线出线式，电缆的标准长度0.5米
- When 50Hz or 60Hz is used, it can be applied to all kinds of universal voltage • Motor insulation class F • All motor additional overheat protector • Cable outlet type, cable length of 0.5M

#### ● 密封等级 Seal Level

- 轴端采用骨架油封密封 • 电动滚筒的密封防护等级为IP54
- Shaft end seal with skeleton oil seal • The seal protection level of the drum motor is IP54

#### ● 注油 Oiling

- 出厂前都已按标准加注油脂，使用后免维护，无需再加注
- Before leaving factory, all products is filled will oil in standard amount, so no need of maintenance or oil-renew

#### ● 其他 Other

- 水平安装 • 可以加装电磁制动器，但筒体的最短长度会相应加长 • 带速及筒体长度可按客户要求制作 • 根据客户要求，可制作各种非标准电动滚筒
- Horizontal installation • Can be equipped with electromagnetic brake, but the shortest length of the cylinder will be extended accordingly • Belt speed and tube length can be produced according to customer requirements • According to customer requirements, can produce a variety of non - standard electric roller

DM80单相电机机械参数 DM80 Single Phase Motor Mechanical Parameters

| $P_N$<br>kW | np     | gs     | i      | v<br>m/min | $n_A$<br>min <sup>-1</sup> | $M_A$<br>Nm | $F_N$<br>N | SL <sub>最小值</sub><br>mm |      |     |
|-------------|--------|--------|--------|------------|----------------------------|-------------|------------|-------------------------|------|-----|
| 0.09        | 2      | 1      | 3.6500 | 175.370    | 684.9                      | 1.10        | 27         | 350                     |      |     |
|             |        |        | 5.3600 | 119.422    | 466.4                      | 1.60        | 40         | 350                     |      |     |
|             |        |        | 6.5500 | 97.725     | 381.7                      | 1.90        | 49         | 350                     |      |     |
|             |        |        | 8.6300 | 74.171     | 289.7                      | 2.60        | 64         | 350                     |      |     |
|             |        | 2      | 13.530 | 47.310     | 184.8                      | 3.60        | 91         | 380                     |      |     |
|             |        |        | 18.920 | 33.832     | 132.1                      | 5.10        | 127        | 380                     |      |     |
|             |        |        | 24.650 | 25.968     | 101.4                      | 6.60        | 165        | 380                     |      |     |
|             |        |        | 28.050 | 22.820     | 89.10                      | 7.50        | 188        | 380                     |      |     |
|             |        |        | 33.920 | 18.871     | 73.70                      | 9.10        | 227        | 380                     |      |     |
|             |        |        | 44.690 | 14.323     | 55.90                      | 12.0        | 299        | 380                     |      |     |
|             |        |        | 58.220 | 10.994     | 42.90                      | 15.6        | 390        | 380                     |      |     |
|             |        |        | 67.080 | 9.542      | 37.30                      | 16.2        | 405        | 400                     |      |     |
|             |        | 3      | 81.110 | 7.892      | 30.80                      | 19.6        | 489        | 400                     |      |     |
|             |        |        | 91.360 | 7.006      | 27.40                      | 22.0        | 551        | 400                     |      |     |
|             |        |        | 102.88 | 6.222      | 24.30                      | 24.8        | 621        | 400                     |      |     |
|             |        |        | 118.98 | 5.380      | 21.00                      | 28.7        | 718        | 400                     |      |     |
|             |        |        | 127.74 | 5.011      | 19.60                      | 30.8        | 771        | 400                     |      |     |
|             |        |        | 145.36 | 4.404      | 17.20                      | 35.1        | 877        | 400                     |      |     |
|             |        |        | 165.64 | 3.864      | 15.10                      | 40.0        | 999        | 400                     |      |     |
|             |        |        | 191.56 | 3.342      | 13.10                      | 46.2        | 1156       | 400                     |      |     |
|             |        |        | 231.61 | 2.764      | 10.80                      | 55.9        | 1397       | 400                     |      |     |
|             |        |        | 0.12   | 2          | 1                          | 3.6500      | 175.370    | 684.9                   | 1.40 | 36  |
|             |        | 5.3600 |        |            |                            | 119.422     | 466.4      | 2.10                    | 53   | 350 |
|             |        | 6.5500 |        |            |                            | 97.725      | 381.7      | 2.60                    | 65   | 350 |
|             |        | 8.6300 |        |            |                            | 74.171      | 289.7      | 3.40                    | 86   | 350 |
|             |        | 2      |        |            | 13.530                     | 47.310      | 184.8      | 4.80                    | 121  | 380 |
|             |        |        |        |            | 18.920                     | 33.832      | 132.1      | 6.80                    | 169  | 380 |
|             |        |        |        |            | 24.650                     | 25.968      | 101.4      | 8.80                    | 220  | 380 |
| 28.050      | 22.820 |        |        |            | 89.10                      | 10.0        | 250        | 380                     |      |     |
| 33.920      | 18.871 |        |        |            | 73.70                      | 12.1        | 303        | 380                     |      |     |
| 44.690      | 14.323 |        |        |            | 55.90                      | 16.0        | 399        | 380                     |      |     |
| 58.220      | 10.994 |        |        |            | 42.90                      | 20.8        | 520        | 380                     |      |     |
| 67.080      | 9.542  |        |        |            | 37.30                      | 21.6        | 540        | 400                     |      |     |
| 3           | 81.110 | 7.892  |        |            | 30.80                      | 26.1        | 652        | 400                     |      |     |
|             | 91.360 | 7.006  |        |            | 27.40                      | 29.4        | 735        | 400                     |      |     |
|             | 102.88 | 6.222  |        |            | 24.30                      | 33.1        | 828        | 400                     |      |     |
|             | 118.98 | 5.380  |        |            | 21.00                      | 38.3        | 957        | 400                     |      |     |
|             | 127.74 | 5.011  |        |            | 19.60                      | 41.1        | 1028       | 400                     |      |     |
|             | 145.36 | 4.404  |        |            | 17.20                      | 46.8        | 1169       | 400                     |      |     |
|             | 165.64 | 3.864  |        |            | 15.10                      | 53.3        | 1332       | 400                     |      |     |
|             | 191.56 | 3.342  |        |            | 13.10                      | 61.6        | 1541       | 400                     |      |     |
|             | 231.61 | 2.764  |        |            | 10.80                      | 74.5        | 1863       | 400                     |      |     |

$P_N$ : 额定功率 Rated power

i: 减速比 Reduction ratio of

$M_A$ : 电动滚筒额定扭矩 Electric drum rated torque

np: 级数 Series

v: 外管额定速率 Outside the rated speed

$F_N$ : 牵引力 Traction force

gs: 齿轮级数 Gear series

$n_A$ : 外管额定转速 Outer tube rated speed

SL<sub>最小值</sub>: 最短外管长度 The shortest outer tube length

DM80三相电机机械参数 DM80 Three Phase Motor Mechanical Parameters

| $P_N$<br>kW | np    | gs     | i      | v<br>m/min | $n_A$<br>min <sup>-1</sup> | $M_A$<br>Nm | $F_N$<br>N | SL <sub>最小值</sub><br>mm |     |
|-------------|-------|--------|--------|------------|----------------------------|-------------|------------|-------------------------|-----|
| 0.09        | 2     | 1      | 3.6500 | 182.385    | 712.3                      | 1.10        | 27         | 350                     |     |
|             |       |        | 5.3600 | 124.198    | 485.1                      | 1.60        | 40         | 350                     |     |
|             |       |        | 6.5500 | 101.634    | 396.9                      | 1.90        | 49         | 350                     |     |
|             |       |        | 8.6300 | 77.138     | 301.3                      | 2.60        | 64         | 350                     |     |
|             |       | 2      | 2      | 13.530     | 49.202                     | 192.2       | 3.60       | 91                      | 380 |
|             |       |        |        | 18.920     | 35.185                     | 137.4       | 5.10       | 127                     | 380 |
|             |       |        |        | 24.650     | 27.006                     | 105.5       | 6.60       | 165                     | 380 |
|             |       |        |        | 28.050     | 23.733                     | 92.70       | 7.50       | 188                     | 380 |
|             |       |        | 33.920 | 19.626     | 76.70                      | 9.10        | 227        | 380                     |     |
|             |       |        | 44.690 | 14.896     | 58.20                      | 12.0        | 299        | 380                     |     |
|             |       |        | 58.220 | 11.434     | 44.70                      | 15.6        | 390        | 380                     |     |
|             |       |        | 3      | 67.080     | 9.924                      | 38.80       | 16.2       | 405                     | 400 |
|             |       |        |        | 81.110     | 8.207                      | 32.10       | 19.6       | 489                     | 400 |
|             |       |        |        | 91.360     | 7.287                      | 28.50       | 22.0       | 551                     | 400 |
|             |       |        |        | 102.88     | 6.471                      | 25.30       | 24.8       | 621                     | 400 |
|             |       |        |        | 118.98     | 5.595                      | 21.90       | 28.7       | 718                     | 400 |
|             |       | 127.74 |        | 5.211      | 20.40                      | 30.8        | 771        | 400                     |     |
|             |       | 145.36 |        | 4.580      | 17.90                      | 35.1        | 877        | 400                     |     |
|             |       | 165.64 |        | 4.019      | 15.70                      | 40.0        | 999        | 400                     |     |
|             |       | 191.56 | 3.475  | 13.60      | 46.2                       | 1156        | 400        |                         |     |
| 231.61      | 2.874 | 11.20  | 55.9   | 1397       | 400                        |             |            |                         |     |
| 0.15        | 2     | 1      | 3.6500 | 182.385    | 712.3                      | 1.80        | 45         | 350                     |     |
|             |       |        | 5.3600 | 124.198    | 485.1                      | 2.70        | 66         | 350                     |     |
|             |       |        | 6.5500 | 101.634    | 396.9                      | 3.20        | 81         | 350                     |     |
|             |       |        | 8.6300 | 77.138     | 301.3                      | 4.30        | 107        | 350                     |     |
|             |       | 2      | 2      | 13.530     | 49.202                     | 192.2       | 6.00       | 151                     | 380 |
|             |       |        |        | 18.920     | 35.185                     | 137.4       | 8.40       | 211                     | 380 |
|             |       |        |        | 24.650     | 27.006                     | 105.5       | 11.0       | 275                     | 380 |
|             |       |        |        | 28.050     | 23.733                     | 92.70       | 12.5       | 313                     | 380 |
|             |       |        | 33.920 | 19.626     | 76.70                      | 15.1        | 378        | 380                     |     |
|             |       |        | 44.690 | 14.896     | 58.20                      | 19.9        | 499        | 380                     |     |
|             |       |        | 58.220 | 11.434     | 44.70                      | 26.0        | 650        | 380                     |     |
|             |       |        | 3      | 67.080     | 9.924                      | 38.80       | 27.0       | 674                     | 400 |
|             |       |        |        | 81.110     | 8.207                      | 32.10       | 32.6       | 816                     | 400 |
|             |       |        |        | 91.360     | 7.287                      | 28.50       | 36.7       | 919                     | 400 |
|             |       |        |        | 102.88     | 6.471                      | 25.30       | 41.4       | 1034                    | 400 |
|             |       |        |        | 118.98     | 5.595                      | 21.90       | 47.9       | 1196                    | 400 |
|             |       | 127.74 |        | 5.211      | 20.40                      | 51.4        | 1284       | 400                     |     |
|             |       | 145.36 |        | 4.580      | 17.90                      | 58.5        | 1462       | 400                     |     |
|             |       | 165.64 |        | 4.019      | 15.70                      | 66.6        | 1666       | 400                     |     |
|             |       | 191.56 | 3.475  | 13.60      | 77.0                       | 1926        | 400        |                         |     |
| 231.61      | 2.874 | 11.20  | 93.2   | 2329       | 400                        |             |            |                         |     |

$P_N$ : 额定功率 Rated power

i: 减速比 Reduction ratio of

$M_A$ : 电动滚筒额定扭矩 Electric drum rated torque

np: 级数 Series

v: 外管额定速率 Outside the rated speed

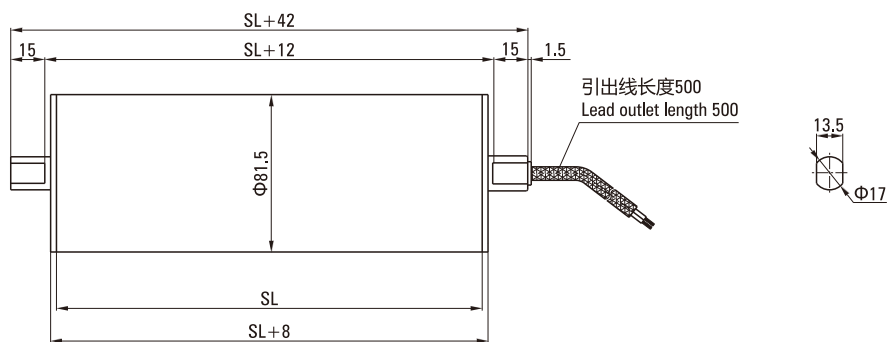
$F_N$ : 牵引力 Traction force

gs: 齿轮级数 Gear series

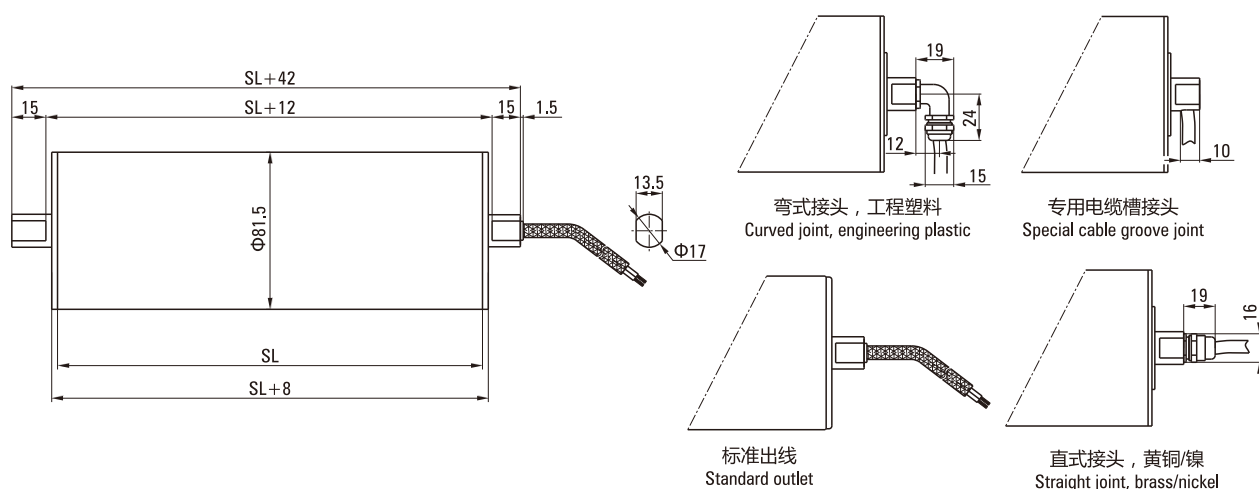
$n_A$ : 外管额定转速 Outer tube rated speed

SL<sub>最小值</sub>: 最短外管长度 The shortest outer tube length

DM80外形图 DM80 Outlining Dimensions



DM80安装图 DM80 Installation Diagram



DM80选项表-电动滚筒 DM80 Option - Drum Motor

| 部件说明 Component Description  | 电动滚筒 Drum Motor |
|---|-----------------|
| 筒体 Drum shell   |                 |
| 碳钢直式筒体 Carbon steel straight drum                                       | 1               |
| 不锈钢 (标准304) 直式筒体 Stainless steel (standard 304) straight drum           | 2               |
| 前后端盖 Front end cover  |                 |
| 铸铝端盖 Cast aluminum cover  | 1               |
| 镀镍铸铝端盖 Nickel plated aluminum cover                                     | 2               |
| 不锈钢 (标准304) 端盖 Stainless steel (standard 304) end cover                 | 2               |
| 前后轴 Front and rare shaft  |                 |
| 碳钢轴 Carbon steel shaft  | 1               |
| 不锈钢轴 Stainless steel shaft  | 2               |
| 电机 Motor  |                 |
| 单相或三相异步电动机 Single phase or three phase asynchronous motor               | 1               |
| 电压1*220V/50Hz或3*380V/50Hz Voltage 1*220V/50Hz or 3*380V/50Hz            | 1               |
| 50Hz或60Hz条件下的全球通用电压 Global common voltage under 50Hz or 60Hz conditions | 1               |
| 加装电机过热保护器 Thermal protector   | 1               |
| 常温环境用油脂 Oil for room temperature  | 2               |
| 电气连接 Electrical connection  |                 |
| 工程塑料弯式 Engineering plastic bending                                      | 3               |
| 直弯式出线 Straight curved line  | 1               |
| PVC线缆 PVC cable   | 1               |
| 低烟无卤素线缆 Low smoke halogen free cable                                    | 2               |
| 其他选项 Other options  |                 |
| 电磁制止器 Electromagnetic stop device                                       | 2               |
| 可不同方位安装 Can be installed in different directions                        | 3               |
| 连接变频器 Connected converter   | 2               |

备注Note:

1-标准装配选项  
1-Standard option

2-非标准常用选项  
2-Non-standard option

3-限制性选项, 选择时应与制造商确认  
3-Restrained option, contact manufacturer if needed